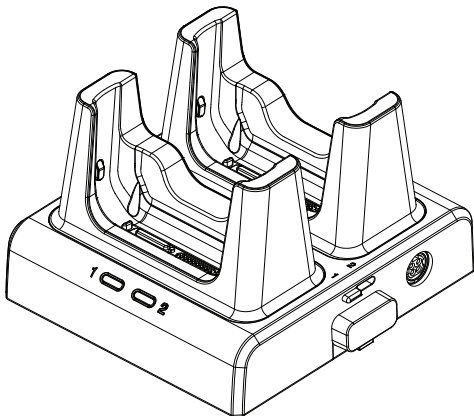


PM85

## **Dual Slot Cradle (2SC)**

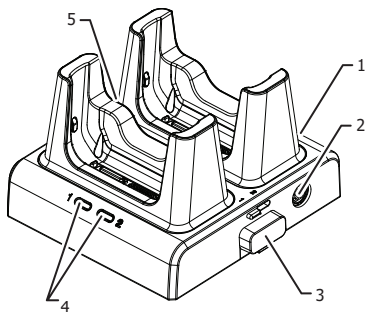
---

### **Quick Start Guide**



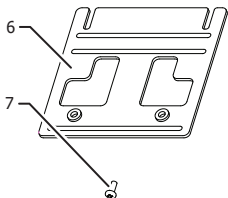
- For more details of PM85 and user guide, please refer to our website ([www.pointmobile.co.kr](http://www.pointmobile.co.kr))

## Package Contents

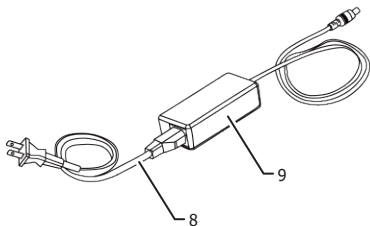


1. PM85 2SC
2. Power Receptacle
3. Connection Plug Cover
4. LED Indicator  
(Blue LED indicates the device has been detected.)
5. Connection Socket Cover

6. Holder
7. Screws



8. Power AC Cable
9. Power Supply

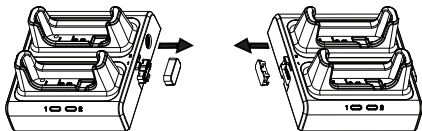


### <Caution>

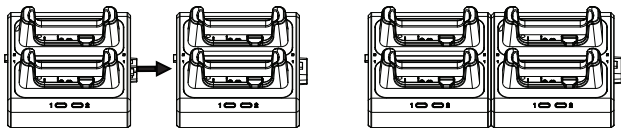
- 1) Always use 'Holder' for connecting multiple 2SC's. If cradles are connected without the 'holder', it may cause device malfunction.
- 2) 2SC's support up to three connections only. If you connect more than three pieces of 2SC, it will not operate properly.

## Connecting 2SC's for a 6SC

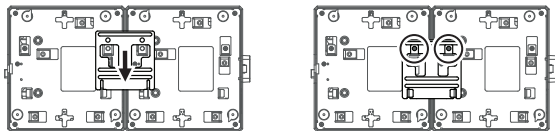
1. Take off the Connection Plug Cover.
2. Take off the Connection Socket Cover.



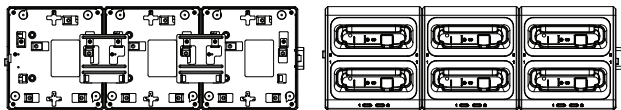
3. Connect the plug to the socket.



4. Fix the connected cradles in place by using screws to tighten the holder.



5. Repeat steps 1 through 3 to connect up to three 2SC's for a 6SC.



# For European Community Users

**We have included this bulletin to comply with Directive 2012/19/EU OF THE EUROPEAN PARLIAMENT AND OF THE COUNCIL of 4 July 2012 on Waste Electrical and Electronic Equipment (WEEE).**

This product has required the extraction and use of natural resources for its production. It may contain hazardous substances that could impact health and the environment, if not properly disposed.

In order to avoid the dissemination of those substances in our environment and diminish the pressure on the natural resources, we encourage you to use the appropriate take-back systems for product disposal.

Those systems will reuse or recycle most of the materials of the product you are disposing in a sound way.



The crossed out wheeled bin symbol inform you that the product should not be disposed of along with municipal waste and invites you to use the appropriate separate take-back systems for product disposal.

If you need more information on the collection, reuse, and recycling system, please contact your local or regional waste administration.

You can also contact your supplier for more information on the environmental performances of this product.

### CE Compliance (for EU only)



This product is labeled with the CE mark in accordance with the provisions of the applicable RoHS Directive 2011/65/EU for this product and the electric accessories.