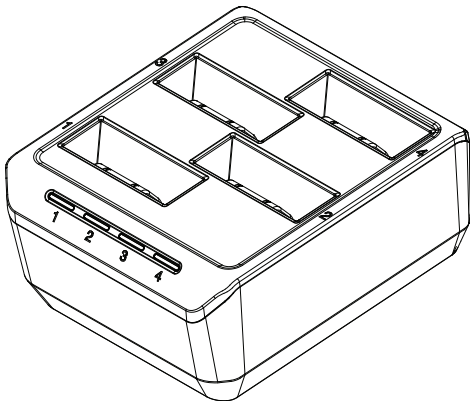


PM85

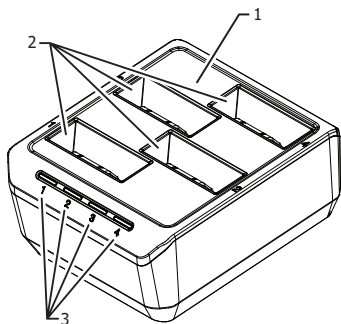
4-Slot Battery Charger (4SBC)

Quick Start Guide



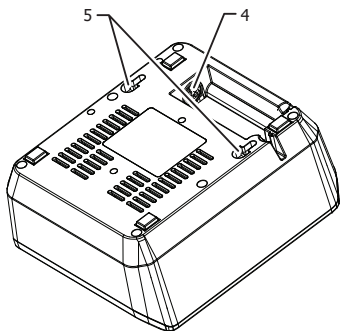
- For more details of PM85 and user guide, please refer to our website (www.pointmobile.co.kr)

Package Contents

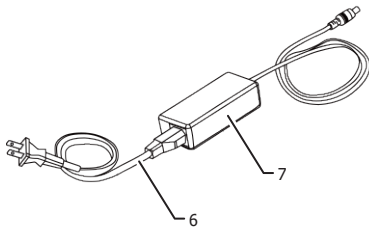


1. PM85 4SBC
2. Battery Slot
3. LED Indicator
(Red LED indicates that the battery is charging, Green that it is fully charged, and the blinking LED indicates that the timer expired or the temperature is out of range)

4. Power Receptacle
5. Wall Mount Hole

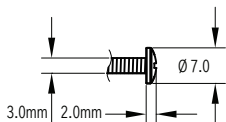


6. Power AC Cable
7. Power Supply



Mounting the 4SBC on a Wall

1. Preparation

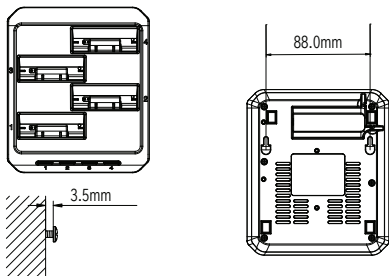


Two wall mounting screws 3mm x 20mm

2. Fasten the wall mounting screws

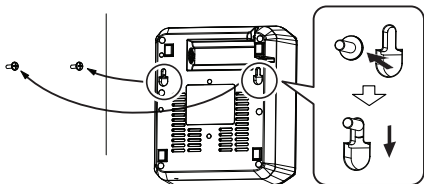
Place the two wall mounting screws 88.0mm apart, and fasten leaving about 3.5mm to the wall.

Make sure that there are no protrusions on the wall that may prevent the mount or the battery from charging.



3. Mount the 4SBC

Mount the 4SBC on the wall by placing the screws into the mounting hole, and push down for proper alignment.



For European Community Users

We have included this bulletin to comply with **Directive 2012/19/EU OF THE EUROPEAN PARLIAMENT AND OF THE COUNCIL of 4 July 2012 on Waste Electrical and Electronic Equipment (WEEE)**.

This product has required the extraction and use of natural resources for its production. It may contain hazardous substances that could impact health and the environment, if not properly disposed.

In order to avoid the dissemination of those substances in our environment and diminish the pressure on the natural resources, we encourage you to use the appropriate take-back systems for product disposal.

Those systems will reuse or recycle most of the materials of the product you are disposing in a sound way.



The crossed out wheeled bin symbol inform you that the product should not be disposed of along with municipal waste and invites you to use the appropriate separate take-back systems for product disposal.

If you need more information on the collection, reuse, and recycling system, please contact your local or regional waste administration.

You can also contact your supplier for more information on the environmental performances of this product.

CE Compliance (for EU only)



This product is labeled with the CE mark in accordance with the provisions of the applicable RoHS Directive 2011/65/EU for this product and the electric accessories.