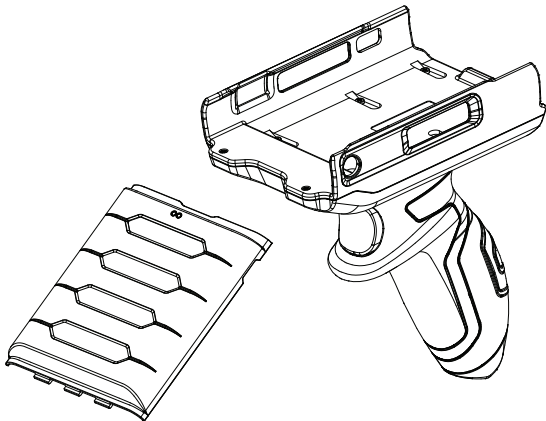


PM85

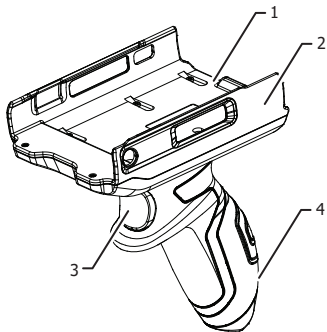
Gun Handle

Quick Start Guide



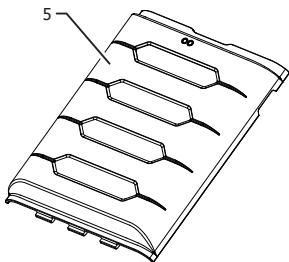
- For more details of product information and user guide, please refer to our website (www.pointmobile.co.kr)

Contents

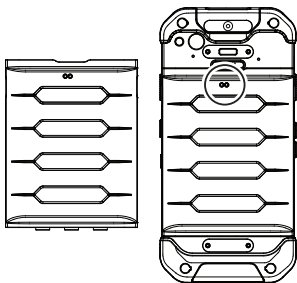


1. PM85 Gun Handle
2. Gun Sled
3. Trigger Button
4. Eyelet for Hand Strap

5. Gun Handle Battery Cover

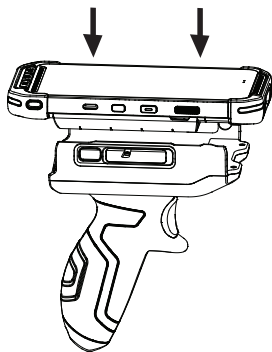


Mounting PM85 on the Gun Handle



1. Change the battery cover to the gun handle battery cover
- * Gun handle battery cover has pogo pin to communicate with PM85

2. Push PM85 into the gun handle



3. Push the trigger button to scan



Point Mobile Co., Ltd.

B-9F Kabul Great Valley, 32, Digital-ro 9-gil,
Geumcheon-gu, Seoul, Korea